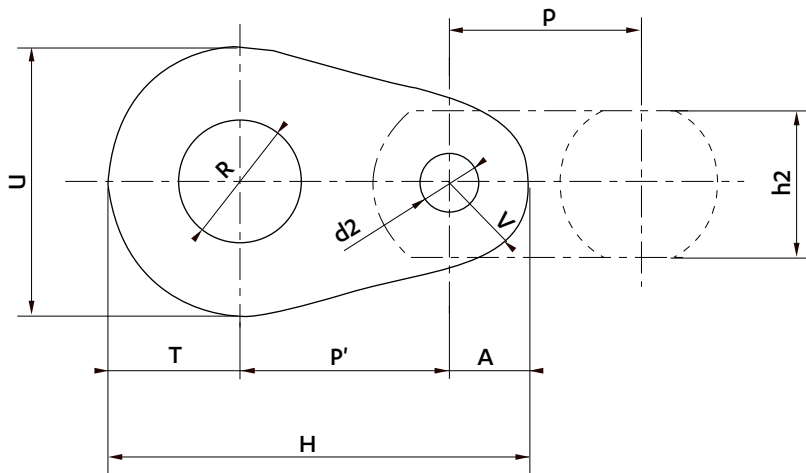


Dimensions in mm

## SPECIAL ATTACHMENT PLATES - ALL SERIES EXCEPT 1961



### ADVISABLE RELATIONS BETWEEN DIMENSIONS

- R** (min) = (about) 2 . d2
- U** (min) = (about) 4 . d2
- T** (min) = R
- P'** = H - (T + A) with P' min. = 3 . d2

- Hole diameter and pitch **P'** are manufactured on request.
- **d2** is the flanged diameter of the chain pins on which the attachment plates will be secured.
- "e" thickness of the attachment plates is the same as to thickness of the chain plates.

Large end diameter	Small end radius	Length	Large end diameter	Small end radius	Length	Large end diameter	Small end radius	Length	Large end diameter	Small end radius	Length
U	V	H	U	V	H	U	V	H	U	V	H
7	2.25	15.8	24	7	47.2	60	15	-	110	35	210
9.5	3	18.8	25	9	50	64	15.5	105.5	130	41	247
9.5	3.5	19	28	8	47	66	18	131	150	47	289
9.5	3	21.8	28	9	54.5	70	17.5	117.5	160	58	326
9.5	3	24.8	32	9	58	70	20	120	180	63	367
14	3.6	21.1	36	11	67.5	72	23	138.5	220	69	419
14	4.5	27.5	36	12	70	75	19	148.5	240	80	472
15	3	34.5	40	14.5	81.5	80	20	130	280	88	542
16	5.5	33.5	50	12.5	82.5	82	28	159	320	103	609
22	3	42	56	19	110	84	29	165	340	115	672