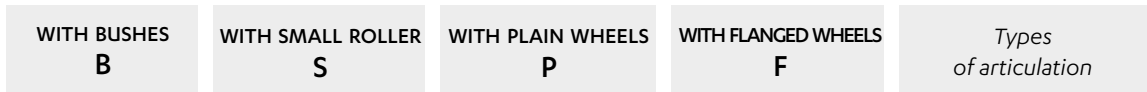
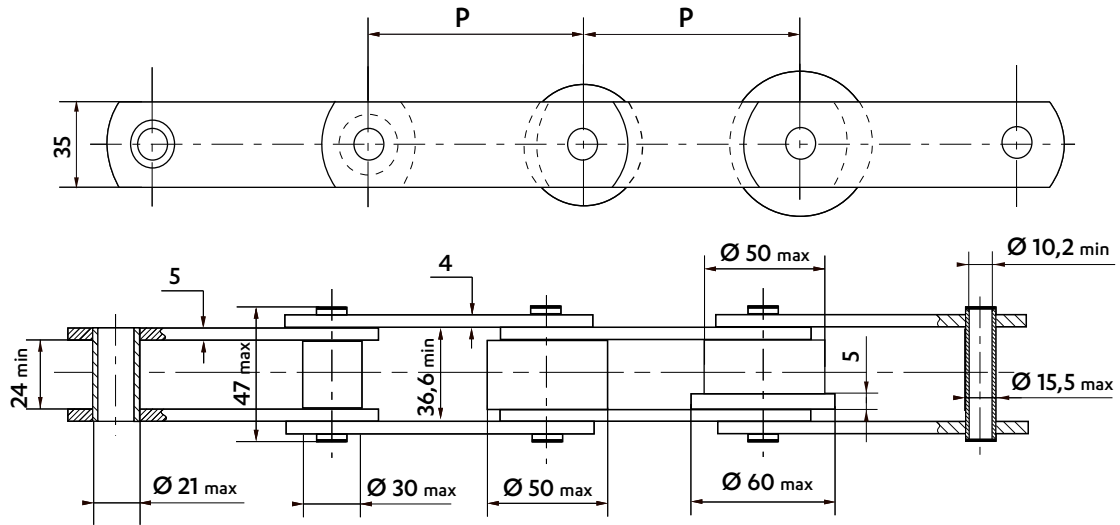


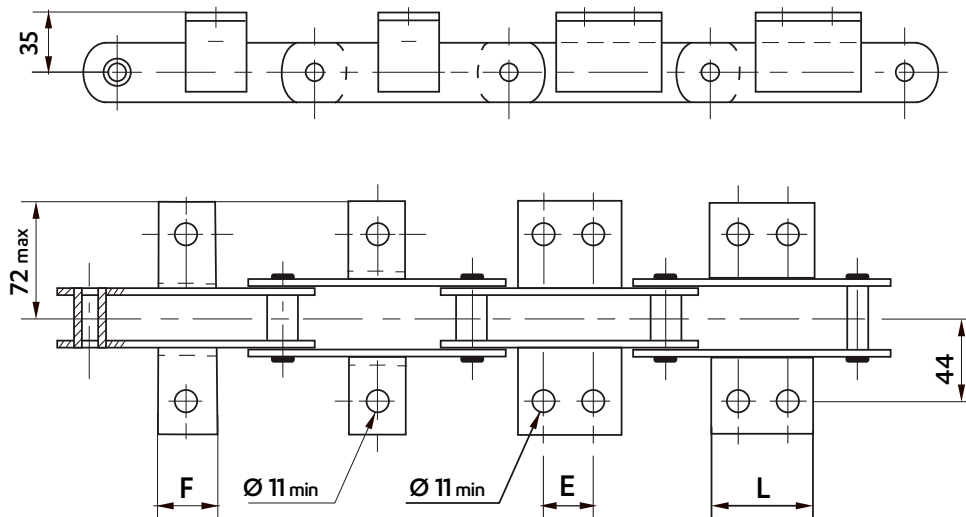
ISO STANDARD CHAINS - **MC56**

Dimensions in mm



Wheels in different materials can be supplied.

**WELDED K1 & K2 ATTACHMENTS** - 45 X 45 X 4,5



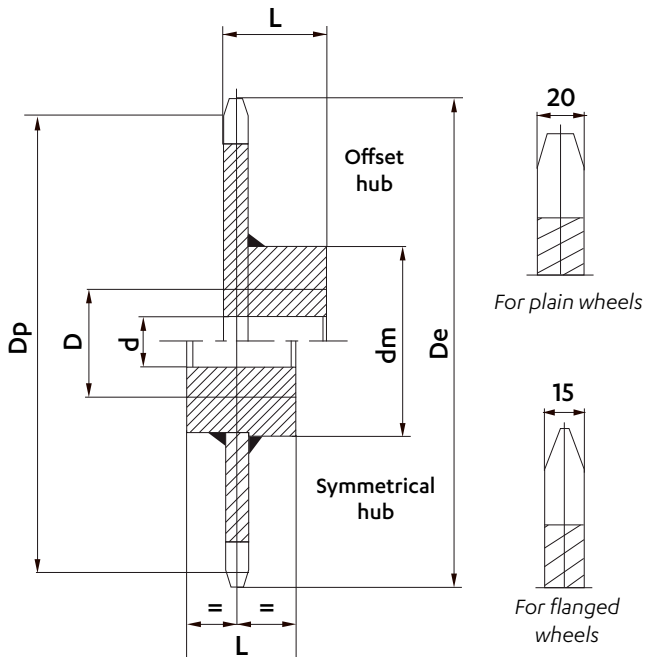
Frequency of attachments on request : on one or both sides of the chain, on inner and/or outer links

Pitch	Attachment dimensions (mm)								Weight of the chain (kg/m)				Weight of the attachment (kg/piece)			
	K1		K2C		K2M		K2L		Bush (B)	Roller (S)	Plain wheel (P)	Flanged wheel (F)	K1	K2C	K2M	K2L
80	◆	◆	◆	◆	◆	◆	◆	4,4	5,0	8,1	9,1	-	-	-	-	
100	40	◆	◆	◆	◆	◆	◆	4,0	4,4	7,0	7,8	-	-	-	-	
125	40	50	78	◆	◆	◆	◆	3,7	4,0	6,2	6,8	-	-	-	-	
160	40	50	78	85	113	◆	◆	3,4	3,7	5,4	5,8	0,1	-	-	-	
200	40	50	78	85	113	125	153	3,2	3,4	4,8	5,2	0,1	0,26	-	-	
250	40	50	78	85	113	125	153	3,0	3,2	4,4	4,7	0,1	0,26	0,38	0,50	

◆ Not standard : possible to make on request.

Dimensions in mm

## STANDARD CHAIN WHEELS



Sedis wheels are supplied made of machine-welded steel or of cast iron in some cases. Teeth are raw casting or flame-cut, or machined for bush chains. Wheels can be supplied bored and keyed. For wheels with offset hub, the entry point of the key is placed at the same side as the teeth, unless specified otherwise.

We can make on request:

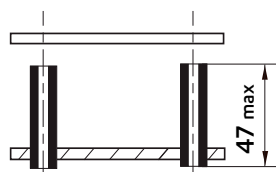
- wheels with machined teeth
- wheels with a different number of teeth
- special wheels

Pitch	Number of teeth	Dimensions (mm)					Weight (kg/p)	
		$D_p$	$D_e$	$d$	$D$	$D_m$		
100	8	261,31	275	30	80	120	80	13
	10	323,61	340	30	80	120	80	14
	12	386,37	404	30	100	150	100	23
	16	512,58	530	30	100	150	100	30
125	8	326,63	340	30	80	120	80	15
	10	404,51	420	30	100	150	100	24
	12	482,96	500	30	100	150	100	28
	16	640,72	658	40	120	170	120	44
160	8	418,09	432	30	100	150	100	25
	10	517,77	534	30	100	150	100	30
	12	618,19	635	40	120	170	120	41
	16	820,12	836	40	120	170	120	56
200	8	522,62	536	30	100	150	100	31
	10	647,22	660	40	120	170	120	44
	12	772,74	788	40	120	170	120	52
	16	1025,16	1042	40	140	190	140	82

Despatch possible within 2 weeks

## CONNECTING LINKS

REF N° 205  
Outer link to be riveted



## DRILLED PLATES

All drilled plates on request