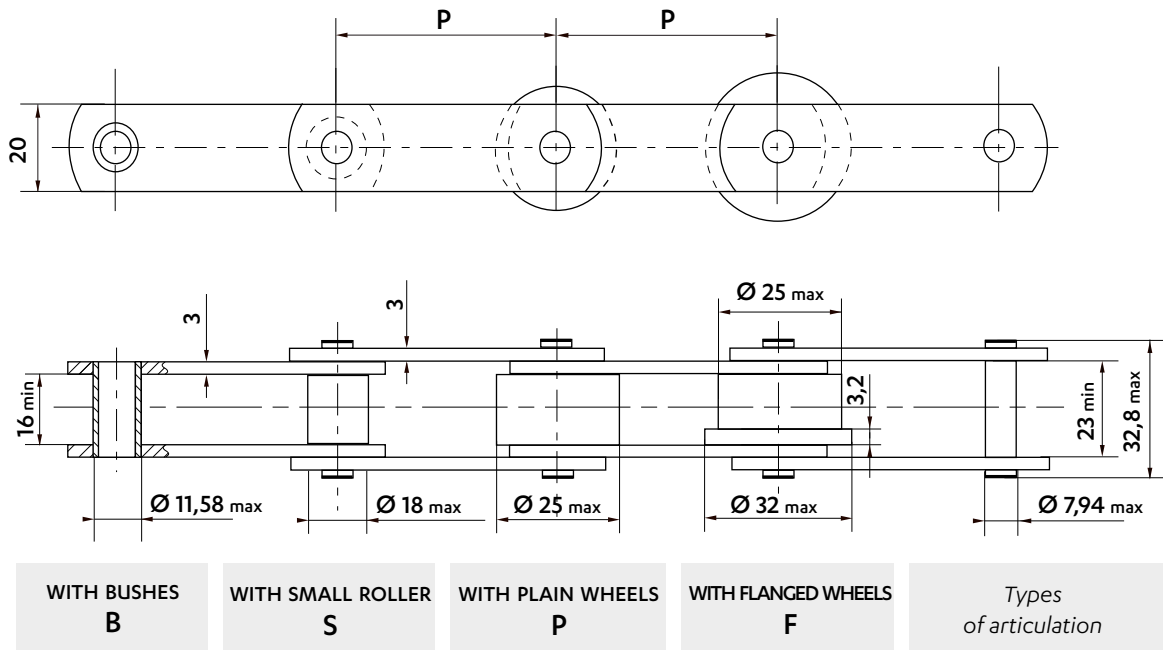


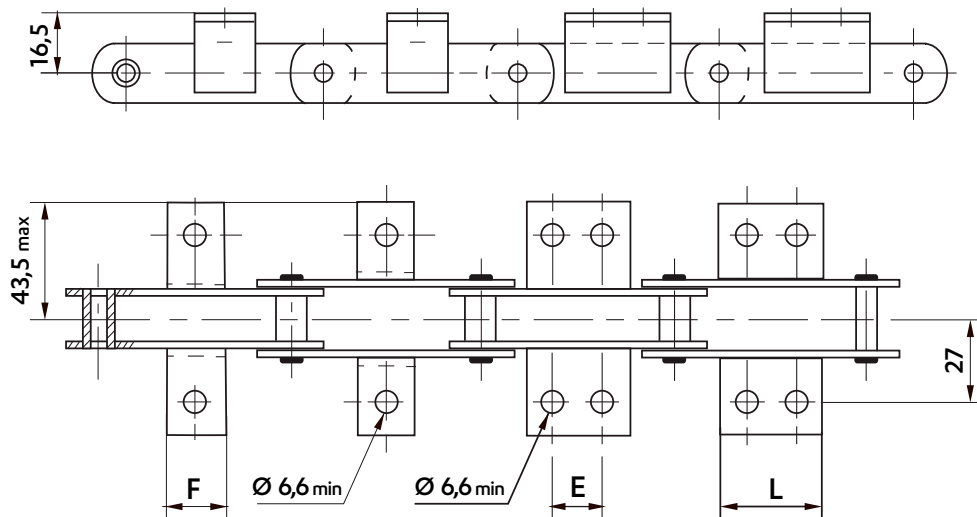
BS STANDARD CHAINS - M22

Dimensions in mm



Wheels in different materials can be supplied.

WELDED K1 & K2 ATTACHMENTS - 25 X 25 X 3

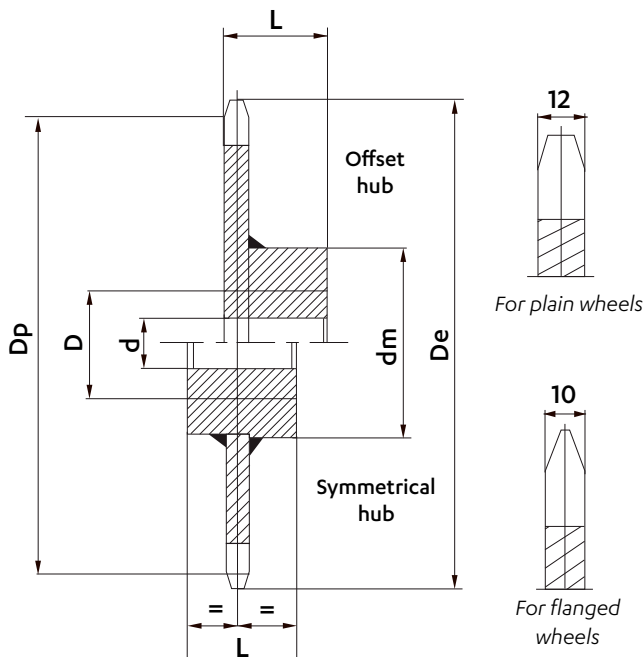


Frequency of attachments on request : on one or both sides of the chain, on inner and/or outer links

Pitch	Attachment dimensions (mm)					Weight of the chain (Kg/m)				Weight of the attachment (Kg/piece)		
	K1 F	K2C E	K2M L	E	L	Bush (B)	Roller (S)	Plain wheel (P)	Flanged wheel (F)	K1	K2C	K2M
50	-	-	-	-	-	2,0	2,4	2,9	3,0	0,04	0,05	0,05
75	30	20	40	-	-	1,7	2,0	2,3	2,4			
100	30	20	40	-	-	1,5	1,6	1,9	2,0			
125	30	20	40	50	70	1,4	1,5	1,8	1,8			

Intermediate pitches are on request

Dimensions in mm

STANDARD CHAIN WHEELS


Sedis wheels are supplied made of machine-welded steel or of cast iron in some cases. Teeth are raw casting or flame-cut, or machined for bush chains. Wheels can be supplied bored and keyed. For wheels with offset hub, the entry point of the key is placed at the same side as the teeth, unless specified otherwise.

We can make on request:

- wheels with machined teeth
- wheels with a different number of teeth
- special wheels

Pitch	Number of teeth	Dimensions (mm)					L	Weight (kg/p)
		D_p	D_e	d	D	D_m		
50	8	130,65	140					3
	10	161,80	168	24	50	80	50	4
	12	193,18	203					5
75	8	195,98	206				50	6
	10	242,71	252	24	50	80	60	8
	12	289,78	299				70	10
100	8	261,31	271				70	9
	10	323,61	333	24	50	80	70	13
	12	386,37	396				80	16
125	8	226,64	336				70	12
	10	404,51	414	24	50	80	70	17
	12	482,96	492				80	21

CONNECTING LINKS

REF N° 208
Cottered connecting link

