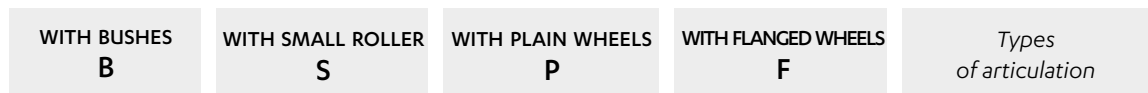
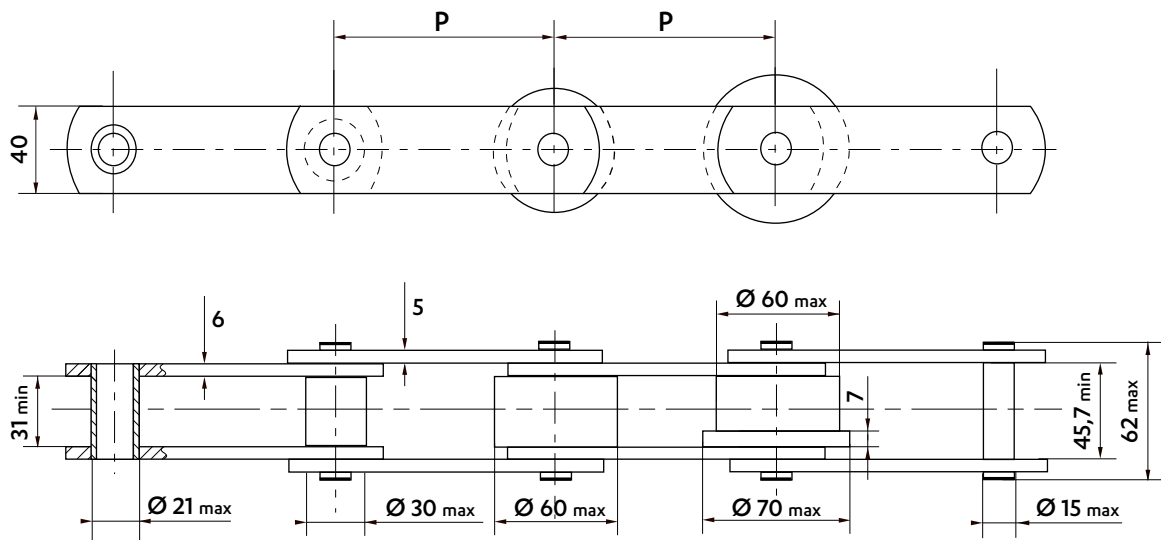


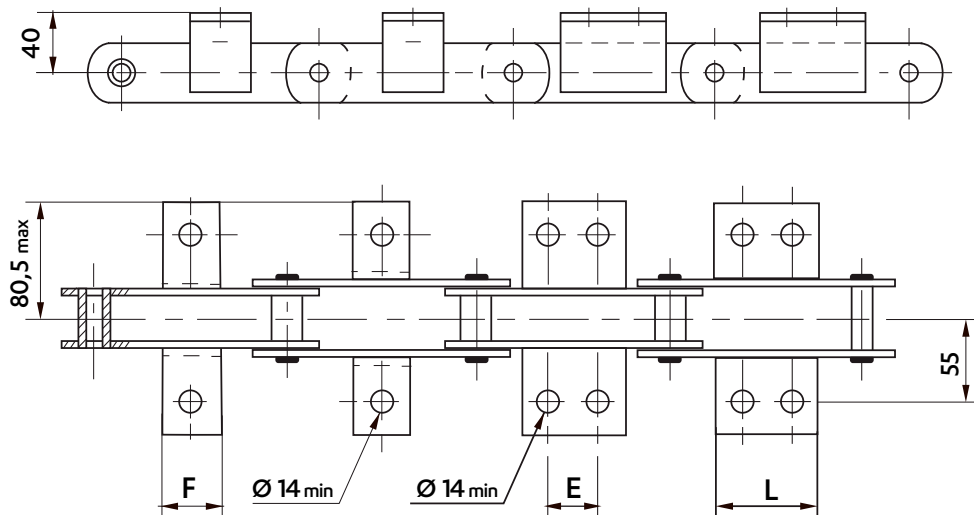
ISO STANDARD CHAINS 1977 - **M112**

Dimensions in mm



Wheels in different materials can be supplied.

WELDED K1 & K2 ATTACHMENTS - 50 X 50 X 6



Frequency of attachments on request : on one or both sides of the chain, on inner and/or outer links

Pitch	Attachment dimensions (mm)							Weight of the chain (Kg/m)				Weight of the attachment (Kg/piece)			
	K1		K2C		K2M		K2L	Bush (B)	Roller (S)	Plain wheel (P)	Flanged wheel (F)	K1	K2C	K2M	K2L
	F	E	L	E	L	E	L								
80	◆	◆		◆		◆		6,6	7,6	-	-				
100	40		◆		◆		◆	5,9	6,4	11,7	12,6				
125	40	35	70		◆		◆	5,4	6,1	10,0	10,8				
160	40	35	70	65	100		◆	5,0	5,5	8,6	9,1				
200	40	35	70	65	100	100	135	4,6	5,0	7,5	8,0	0,15	0,31	0,45	0,60
250	40	35	70	65	100	100	135	4,4	4,7	6,7	7,0				
315	40	35	70	65	100	100	135	4,1	4,4	6,0	6,3				
400	40	35	70	65	100	100	135	3,9	4,1	5,4	5,6				

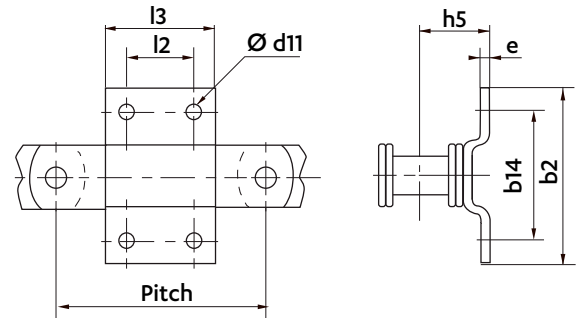
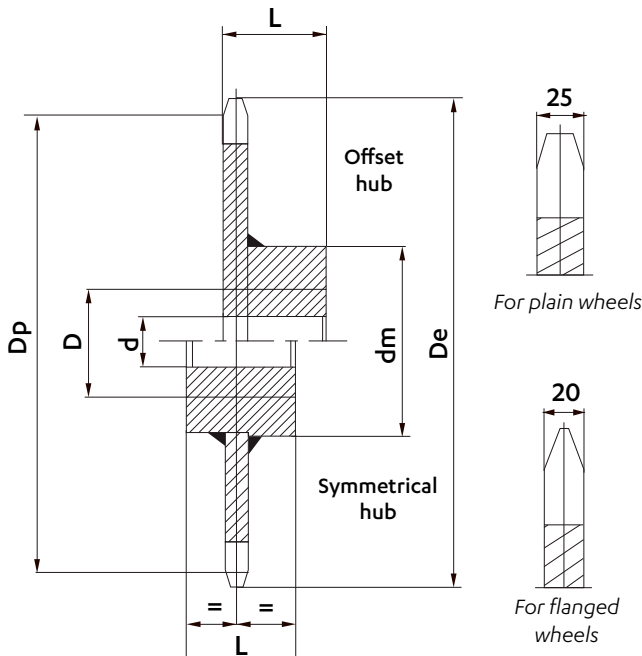
◆ Not standard : possible to make on request.

Intermediate pitches are on request

Dimensions in mm

WELDED G ATTACHMENTS

Pitch	l3	b2	b14	l2	d11	e	h5	Weight (kg/p)
160	70			40	11	5	41	0,35
200	90	110	80	55	11	5	41	0,45

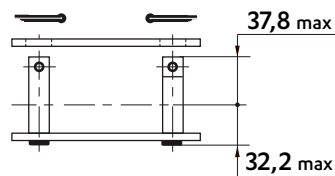
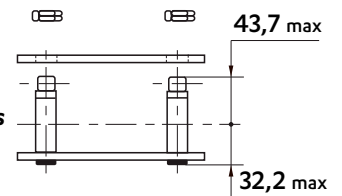

STANDARD CHAIN WHEELS


Sedis wheels are supplied made of machine-welded steel or of cast iron in some cases. Teeth are raw casting or flame-cut, or machined for bush chains. Wheels can be supplied bored and keyed. For wheels with offset hub, the entry point of the key is placed at the same side as the teeth, unless specified otherwise.

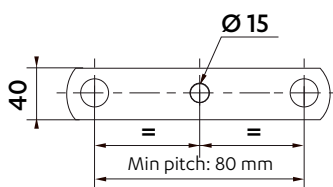
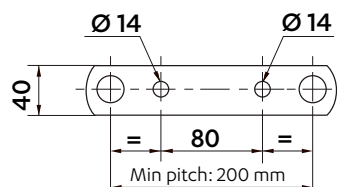
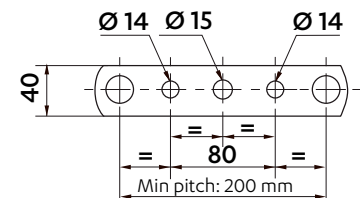
- We can make on request:
- wheels with machined teeth
 - wheels with a different number of teeth
 - special wheels

Pitch	Number of teeth	Dimensions (mm)						Weight (kg/p)
		Dp	De	d	D	Dm	L	
125	8	326,63	346	30	80	150	80	
	10	404,51	424	30	100	170	100	35
	12	482,96	506	30	100	170	100	39
160	16	640,72	664	40	120	200	120	64
	8	418,09	438	30	100	170	100	39
	10	517,77	540	30	100	170	100	42
200	12	618,19	640	40	120	200	120	60
	16	820,12	844	40	120	200	120	80
	8	522,62	542	30	100	170	100	43
250	10	647,22	668	40	120	200	120	58
	12	772,74	794	40	120	200	120	76
	16	1025,16	1048	40	140	240	140	115
250	8	653,27	670	40	120	200	120	64
	10	809,02	830	40	120	200	120	79
	12	965,92	988	40	140	240	140	109
	16	1281,45	1304	40	140	240	140	153

Despatch possible within 2 weeks

CONNECTING LINKS
REF N° 208
 Cottered connecting link

REF N° 209
 Connecting link with self-locking nuts

DRILLED PLATES

On outer and inner plates


1 HOLE

2 HOLES

3 HOLES