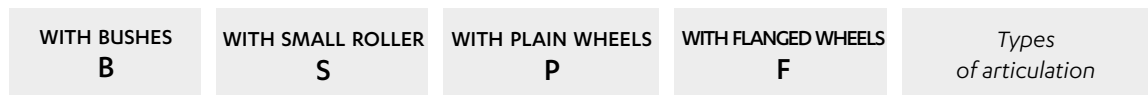
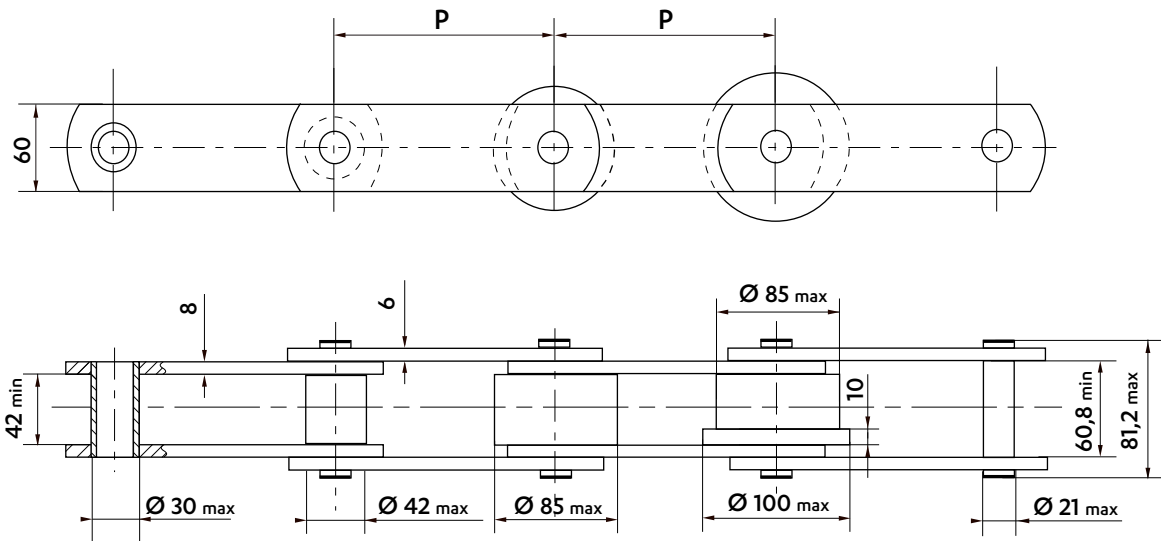


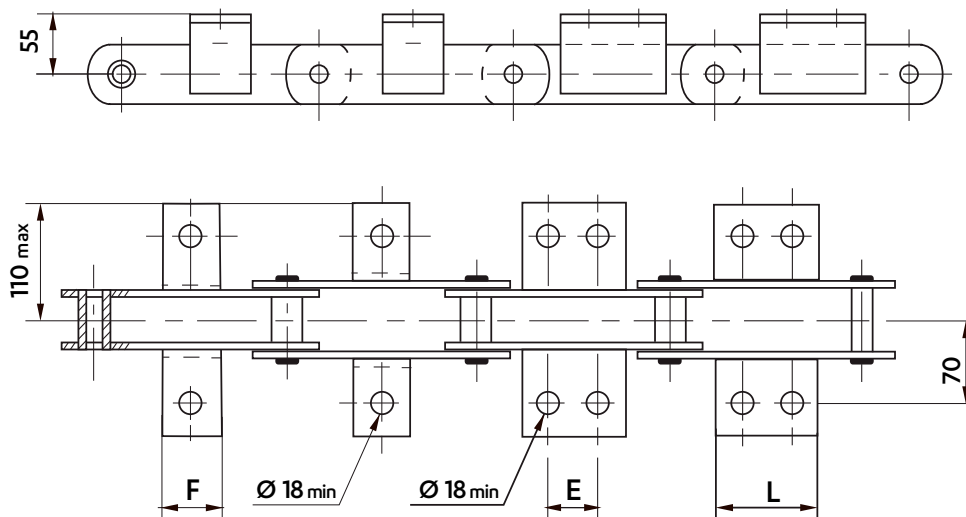
ISO STANDARD CHAINS 1977 - **M224**

Dimensions in mm



Wheels in different materials can be supplied.

**WELDED K1 & K2 ATTACHMENTS - 70 X 70 X 7**



Frequency of attachments on request : on one or both sides of the chain, on inner and/or outer links

Pitch	Attachment dimensions (mm)							Weight of the chain (Kg/m)				Weight of the attachment (Kg/piece)			
	K1		K2C		K2M		K2L	Bush (B)	Roller (S)	Plain wheel (P)	Flanged wheel (F)	K1	K2C	K2M	K2L
	F	E	L	E	L	E	L								
125	♦	♦		♦		♦		12,4	14,2	-	-				
160	50	♦		♦		♦		11,2	12,5	21,0	22,4				
200	50	65	115	♦		♦		10,2	11,3	18,1	19,2				
250	50	65	115	125	170	♦		9,5	10,4	15,8	16,7				
315	50	65	115	125	170	190	235	8,9	9,6	13,9	14,6	0,35	0,85	1,25	1,70
400	50	65	115	125	170	190	235	8,4	9,0	12,3	12,9				
500	50	65	115	125	170	190	235	8,0	8,5	11,2	11,7				
630	50	65	115	125	170	190	235	7,7	8,1	10,2	10,6				

Despatch possible within 2 weeks

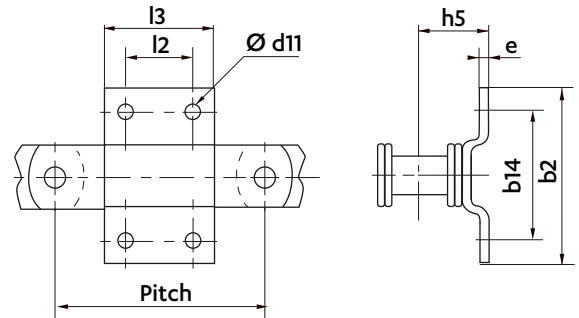
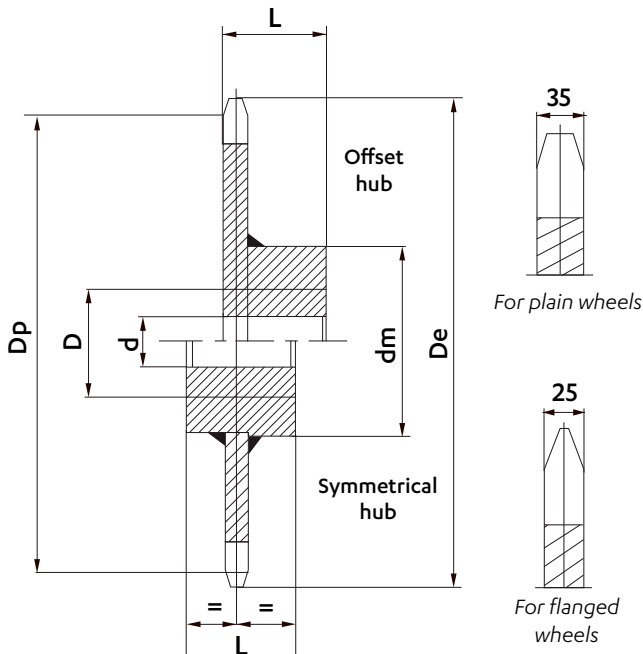
♦ Not standard : possible to make on request.

Intermediate pitches are on request

Dimensions in mm

**WELDED G ATTACHMENTS**

Pitch	l3	b2	b14	l2	d11	e	h5	Weight (kg/p)
160	70			40				0,70
200	90	120	90	55	13	8	64	0,89


**STANDARD CHAIN WHEELS**


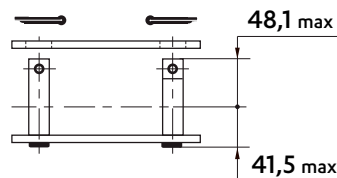
Sedis wheels are supplied made of machine-welded steel or of cast iron in some cases. Teeth are raw casting or flame-cut, or machined for bush chains. Wheels can be supplied bored and keyed. For wheels with offset hub, the entry point of the key is placed at the same side as the teeth, unless specified otherwise.

- We can make on request:
- wheels with machined teeth
  - wheels with a different number of teeth
  - special wheels

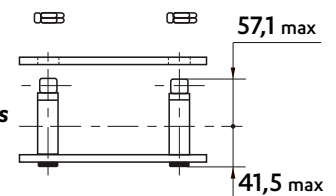
Pitch	Number of teeth	Dimensions (mm)						Weight (kg/p)
		Dp	De	d	D	Dm	L	
160	8	418,09	448	40	120	220	120	58
	10	517,77	548	40	120	220	120	79
	12	618,19	650	40	140	260	140	120
	16	820,12	854	40	140	260	140	143
200	8	522,62	550	40	120	220	120	80
	10	647,22	676	40	140	260	140	110
	12	772,74	804	40	140	260	140	130
	16	1025,16	1060	50	160	300	160	200
250	8	653,27	680	40	140	260	140	112
	10	809,02	840	40	140	260	140	138
	12	965,92	998	50	160	300	160	186
	16	1281,45	1316	50	160	300	180	248
315	8	823,12	850	40	140	260	140	144
	10	1019,37	1048	50	160	300	160	201
	12	1217,06	1249	50	160	300	160	245
	16	1614,62	1650	50	180	320	180	350

**CONNECTING LINKS**

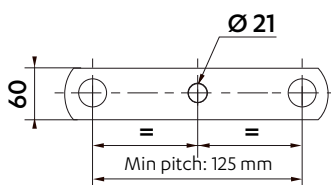
REF N° 208  
Cottered connecting link



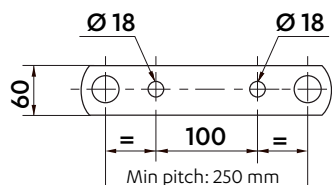
REF N° 209  
Connecting link with self-locking nuts


**DRILLED PLATES**

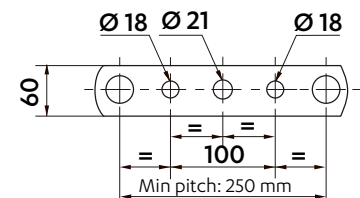
On outer and inner plates



1 HOLE



2 HOLES



3 HOLES