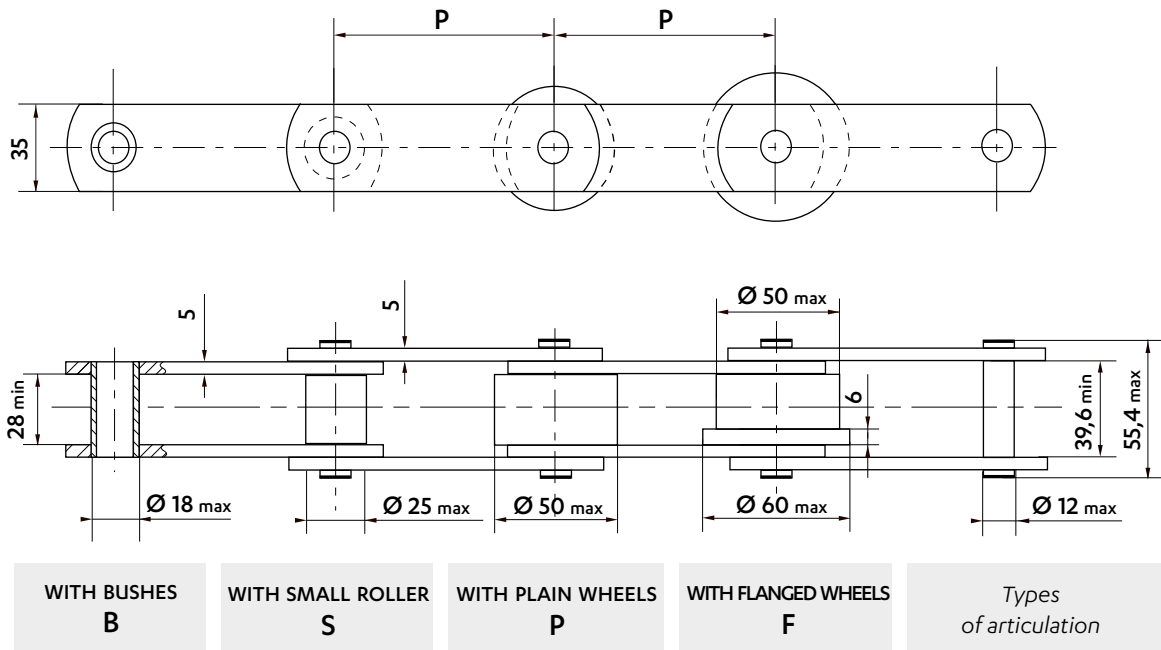


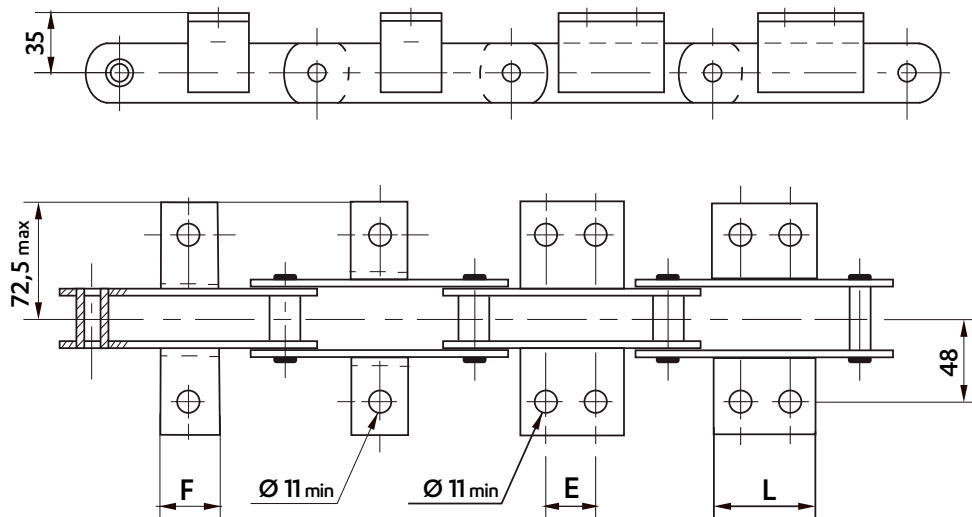
ISO STANDARD CHAINS 1977 - **M80**

Dimensions in mm



Wheels in different materials can be supplied.

WELDED K1 & K2 ATTACHMENTS - 45X45X4,5



Frequency of attachments on request : on one or both sides of the chain, on inner and/or outer links

Pitch	Attachment dimensions (mm)								Weight of the chain (Kg/m)				Weight of the attachment (Kg/piece)			
	K1		K2C		K2M		K2L		Bush (B)	Roller (S)	Plain wheel (P)	Flanged wheel (F)	K1	K2C	K2M	K2L
80	◆	◆	◆	◆	◆	◆	◆	4,4	5,0	8,1	9,1					
100	40	◆	◆	◆	◆	◆	◆	4,0	4,4	7,0	7,8					
125	40	50	78	◆	◆	◆	◆	3,7	4,0	6,2	6,8					
160	40	50	78	85	113	◆	◆	3,4	3,7	5,4	5,8	0,1	0,26	0,38	0,50	
200	40	50	78	85	113	125	153	3,2	3,4	4,8	5,2					
250	40	50	78	85	113	125	153	3,0	3,2	4,4	4,7					
315	40	50	78	85	113	125	153	2,9	3,0	4,0	4,2					

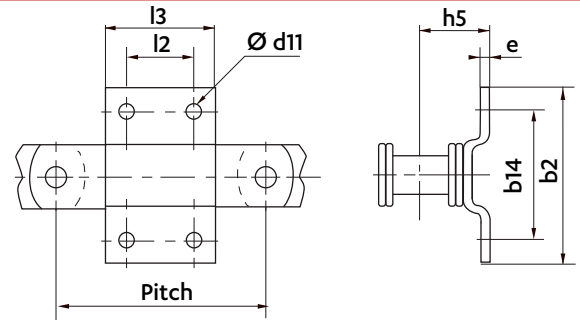
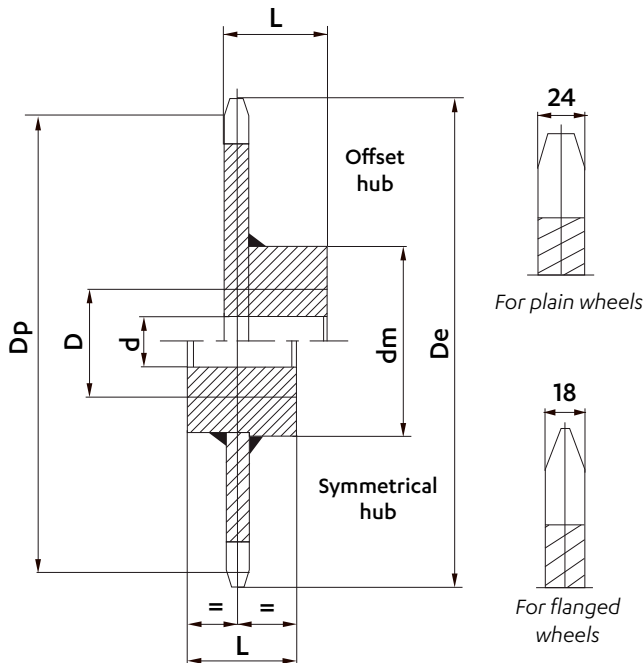
Despatch possible within 2 weeks ◆ Not standard : possible to make on request.

Intermediate pitches are on request

Dimensions in mm

WELDED G ATTACHMENTS

Pitch	l3	b2	b14	l2	d11	e	h5	Weight (kg/p)
100	55			30				0,26
125	55	100	70	30	9	5	38	0,26
160	70			40				0,32


STANDARD CHAIN WHEELS


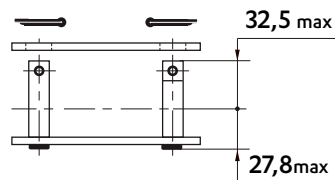
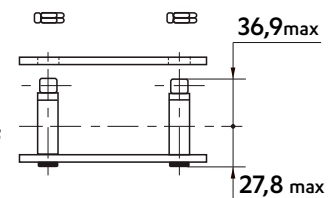
Sedis wheels are supplied made of machine-welded steel or of cast iron in some cases. Teeth are raw casting or flame-cut, or machined for bush chains. Wheels can be supplied bored and keyed. For wheels with offset hub, the entry point of the key is placed at the same side as the teeth, unless specified otherwise.

We can make on request:

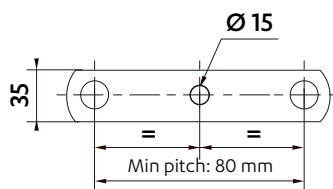
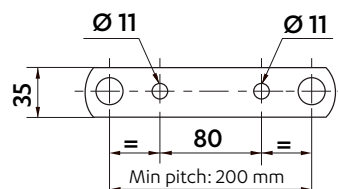
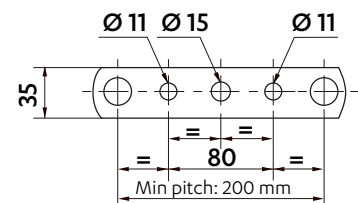
- wheels with machined teeth
- wheels with a different number of teeth
- special wheels

Pitch	Number of teeth	Dimensions (mm)						Weight (kg/p)
		Dp	De	d	D	Dm	L	
100	8	261,31	278	30	80	130	80	15
	10	323,61	342	30	80	130	80	20
	12	386,37	406	30	100	160	100	28
	16	512,58	534	30	100	160	100	35
125	8	326,63	342	30	80	130	80	20
	10	404,51	424	30	100	160	100	28
	12	482,96	503	30	100	160	100	33
160	16	640,72	662	40	120	190	120	53
	8	418,09	436	30	100	160	100	28
	10	517,77	535	30	100	160	100	37
100	12	618,19	636	40	120	190	120	50
	16	820,12	840	40	120	190	120	68
	8	522,62	540	30	100	160	100	36
100	10	647,22	663	40	120	190	120	53
	12	772,74	792	40	120	190	120	63
	16	1025,16	1045	40	140	220	140	99

Despatch possible within 2 weeks

CONNECTING LINKS
REF N° 208
 Cotted connecting link

REF N° 209
 Connecting link with self-locking nuts

DRILLED PLATES

On outer and inner plates


1 HOLE

2 HOLES

3 HOLES