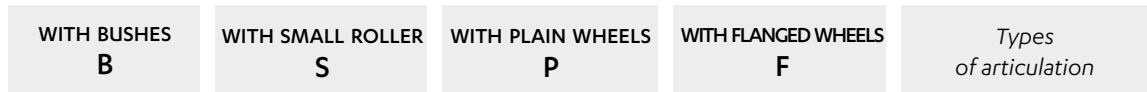
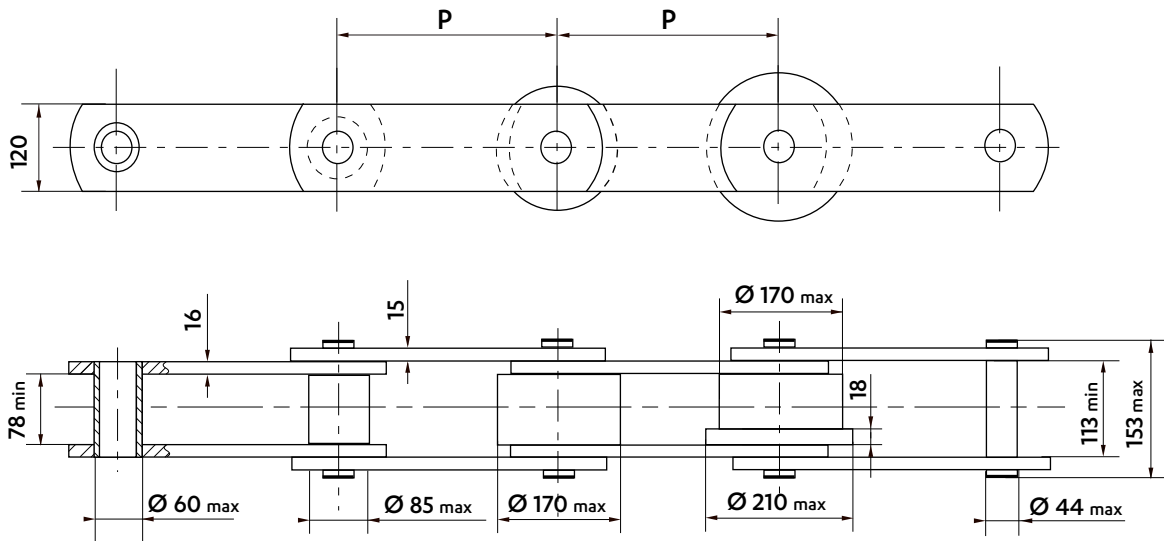


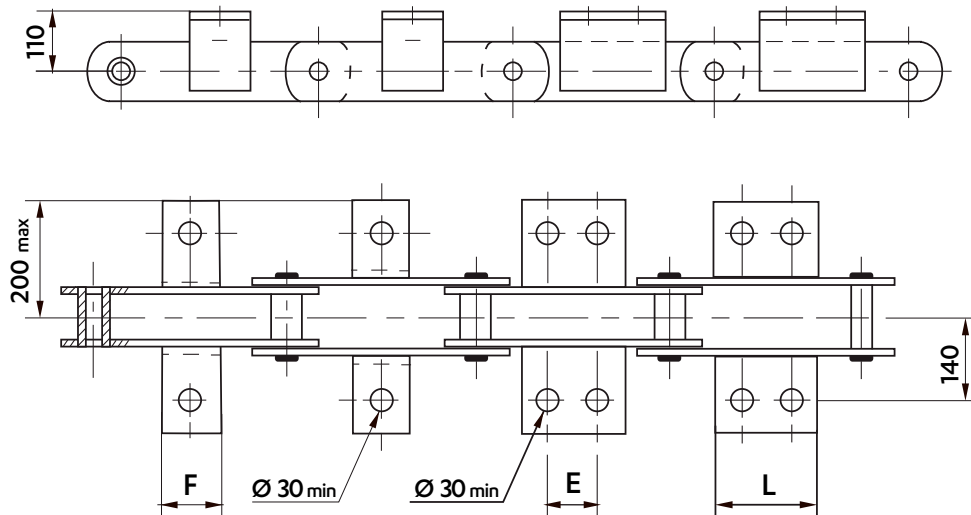
ISO STANDARD CHAINS 1977 - M900

Dimensions in mm



Wheels in different materials can be supplied.

WELDED K1 & K2 ATTACHMENTS - 120 X 120 X 15



Frequency of attachments on request : on one or both sides of the chain, on inner and/or outer links

Pitch	Attachment dimensions (mm)							Weight of the chain (Kg/m)				Weight of the attachment (Kg/piece)				
	K1		K2C		K2M		K2L	Bush (B)		Roller (S)	Plain wheel (P)	Flanged wheel (F)	K1	K2C	K2M	K2L
	F	E	L	E	L	E	L									
250	50	♦		♦		♦		51,5	58,5	97,4	105,2					
315	50	100	150	♦		♦		47,1	52,5	83,7	89,8					
400	50	100	150	190	240	♦		43,5	47,8	73,2	77,1	1,6	3,3	5,7	7,9	
500	50	100	150	190	240	300	350	40,8	44,2	63,5	67,8					
630	50	100	150	190	240	300	350	38,6	41,3	57,3	59,8					

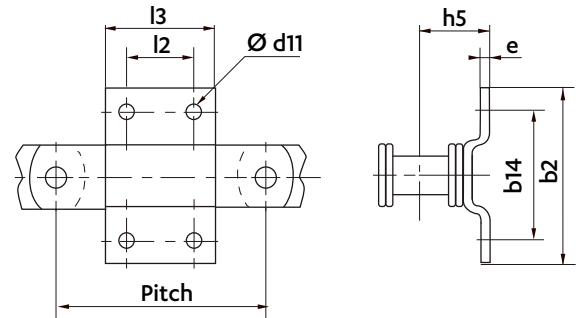
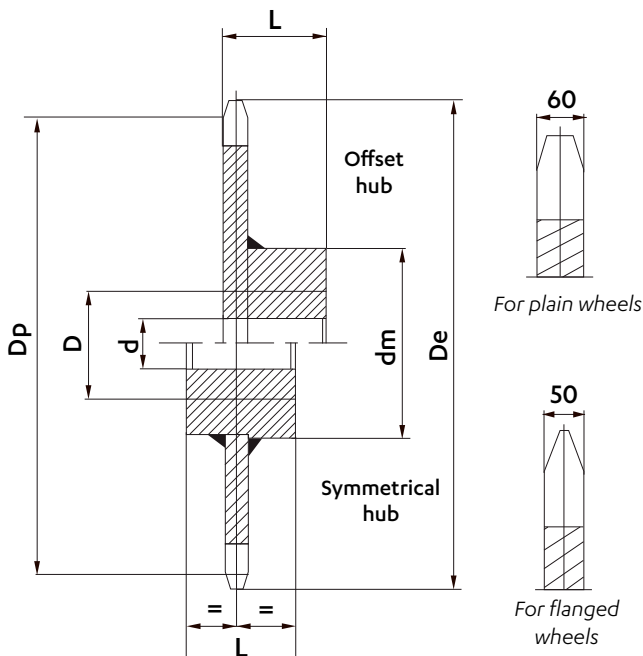
♦ Not standard : possible to make on request.

Intermediate pitches are on request

Dimensions in mm

WELDED G ATTACHMENTS

Pitch	l3	b2	b14	l2	d11	e	h5	Weight (kg/p)
250	130			75	21			3,65
315	170	260	200	100		12	104	4,77


STANDARD CHAIN WHEELS


Sedis wheels are supplied made of machine-welded steel or of cast iron in some cases. Teeth are raw casting or flame-cut, or machined for bush chains.

Wheels can be supplied bored and keyed.

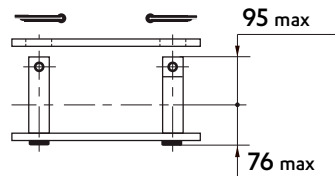
For wheels with offset hub, the entry point of the key is placed at the same side as the teeth, unless specified otherwise.

- We can make on request:
- wheels with machined teeth
 - wheels with a different number of teeth
 - special wheels

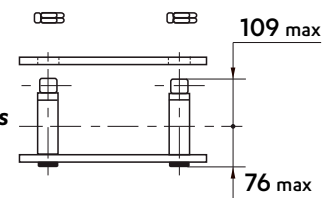
Pitch	Number of teeth	Dimensions (mm)						Weight (kg/p)
		Dp	De	d	D	Dm	L	
250	8	653,27	701	50	160	320	160	198
	10	809,02	857	50	160	320	160	278
	12	965,92	1014	50	180	380	180	406
	16	1281,45	1329	50	180	380	180	651
315	8	823,12	871	50	160	320	160	287
	10	1019,37	1067	50	180	380	180	443
	12	1217,06	1257	50	180	380	180	510
	16	1614,62	1662	60	200	460	200	719
400	8	1045,24	1093	50	180	380	180	461
	10	1294,44	1342	50	180	380	180	663
	12	1545,48	1593	50	200	460	200	964

CONNECTING LINKS

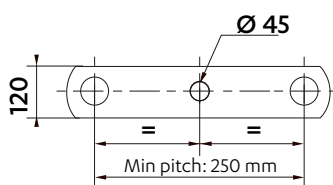
REF N° 208
Cottered connecting link



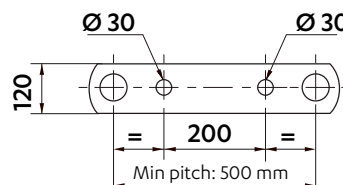
REF N° 209
Connecting link with self-locking nuts


DRILLED PLATES

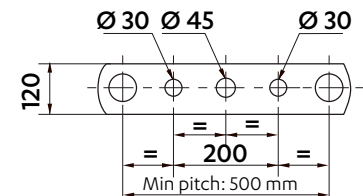
On outer and inner plates



1 HOLE



2 HOLES



3 HOLES